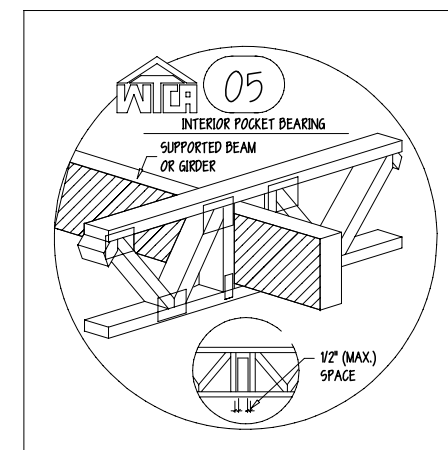
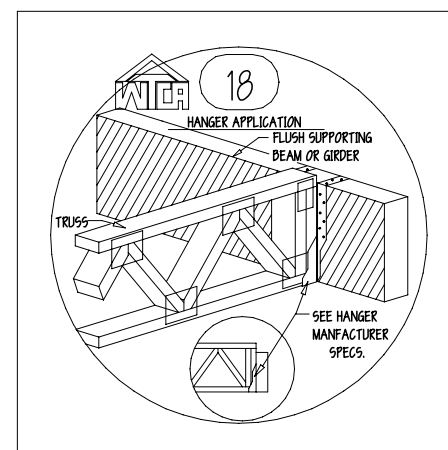
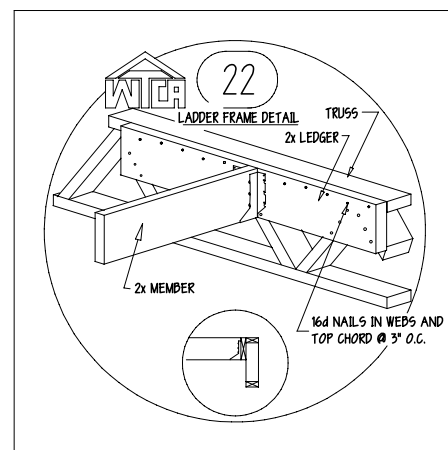
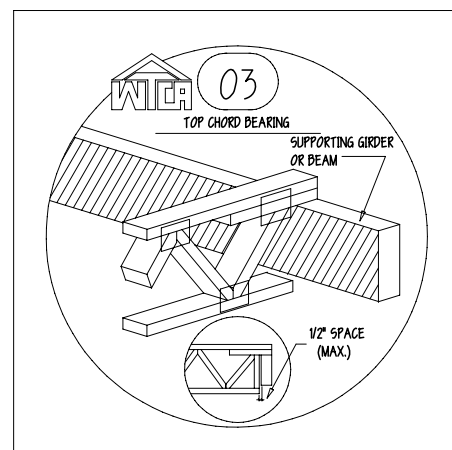
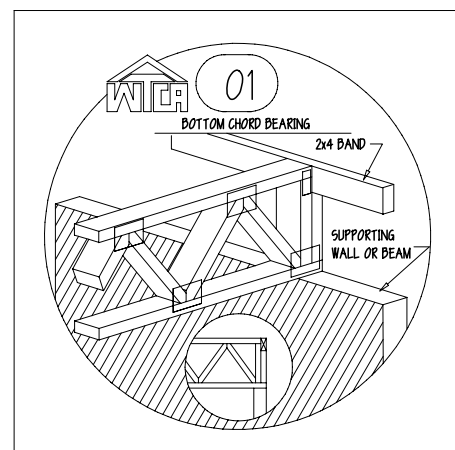
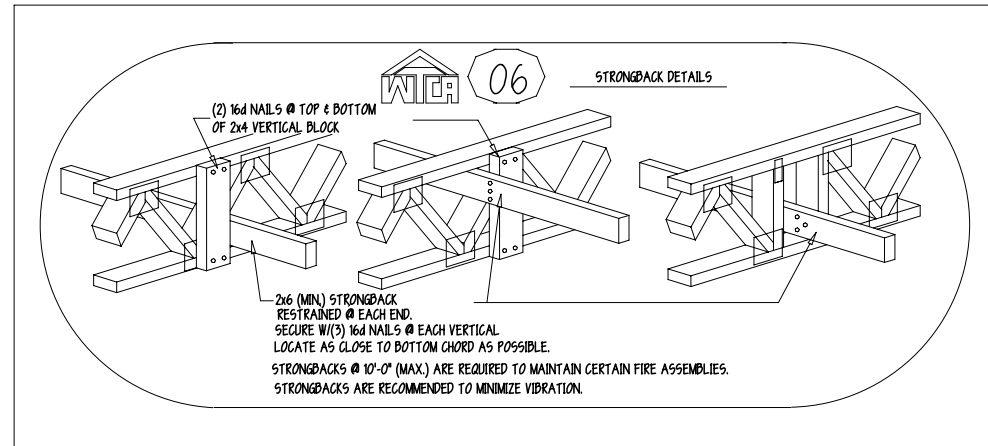
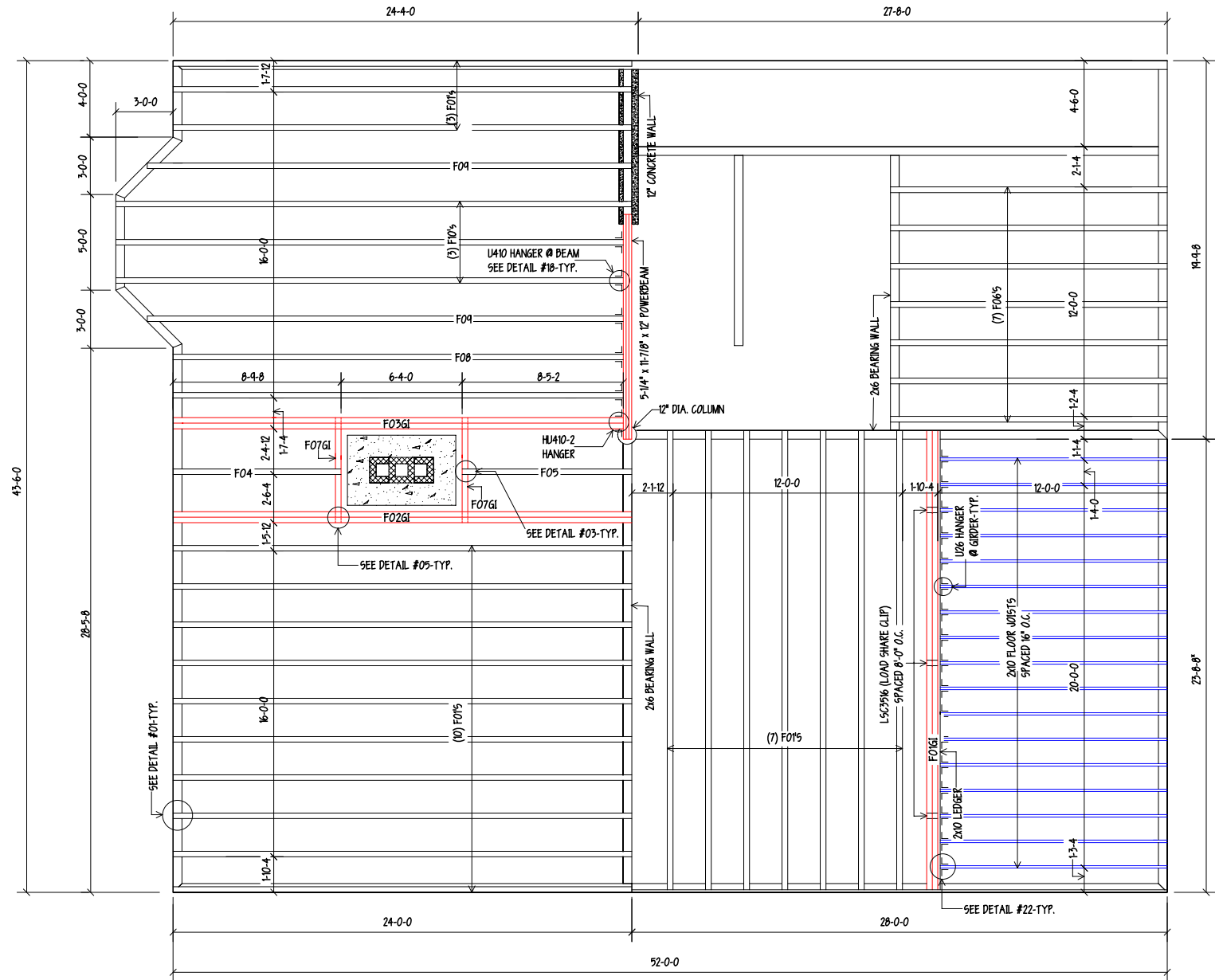
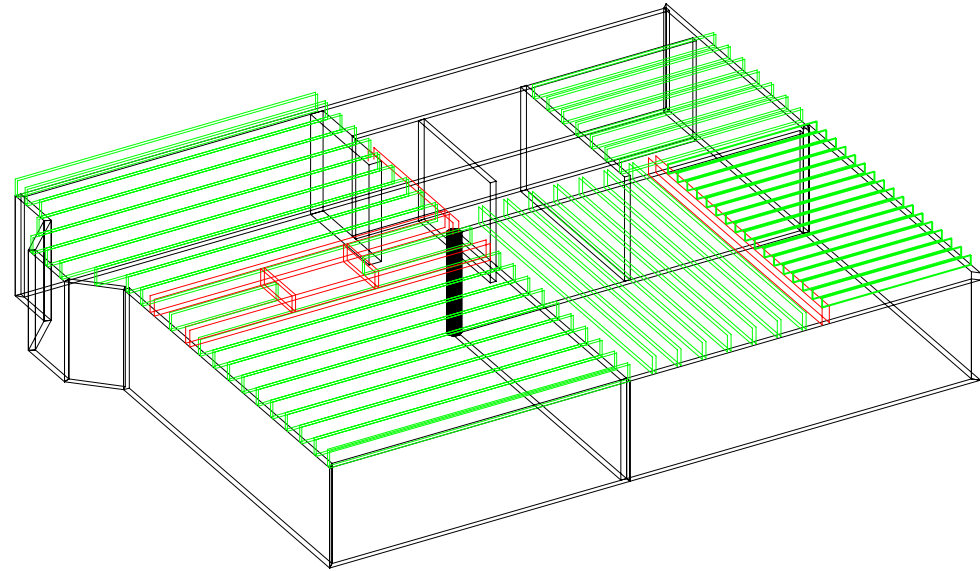
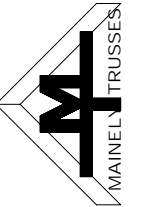


\* FORMAT FOR DIMENSIONS ARE IN FEET-INCHES-SIXTEENTHS.  
 EXAMPLE: 8-10-12 = 8 FEET- 10 INCHES - 12 SIXTEENTHS (OR 3/4")



# FLOOR TRUSS LAYOUT



800 - 773 - 4911  
 TEL: 207 - 453 - 4911  
 FAX: 207 - 453 - 7652  
 P.O. BOX 377  
 FAIRFIELD, ME 04937

BOILER: SAMPLE  
 LEVE. ADDRESS: MAIN STREET-USA  
 MODEL: CUSTOM RESIDENCE  
 REVISION: NONE

DATE: 01-01-2000  
 DRAW BY: MT  
 DESIGNED BY: #000000

THIS IS A TRUSS PLACEMENT DIAGRAM ONLY. These trusses are designed as individual building components to be incorporated into the building design as the specification of the building designer. See individual design sheets for each truss design identified on the placement drawing. The building designer is responsible for temporary and permanent bracing of the roof and floor system and for the overall structure. The design of the truss support structure including headers, beams, walls, and columns is the responsibility of the building designer. For general guidance regarding bracing, consult "Bracing of wood trusses" available from the Truss Plate Institute, 583 D'Onofrio Drive, Madison, WI 53179.